

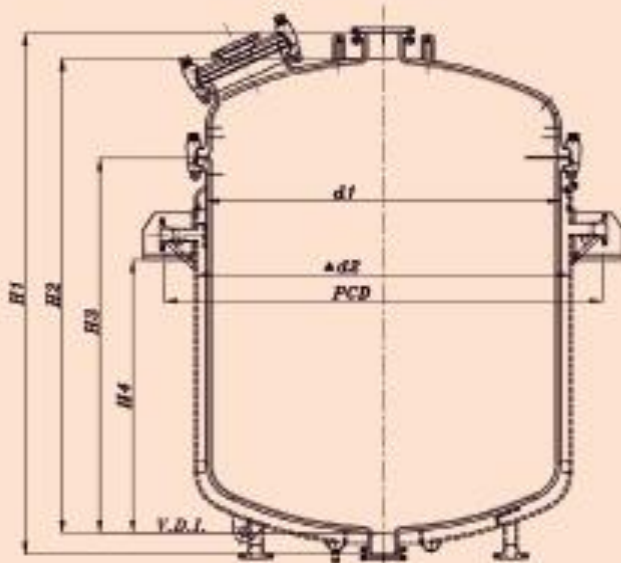
# Receivers



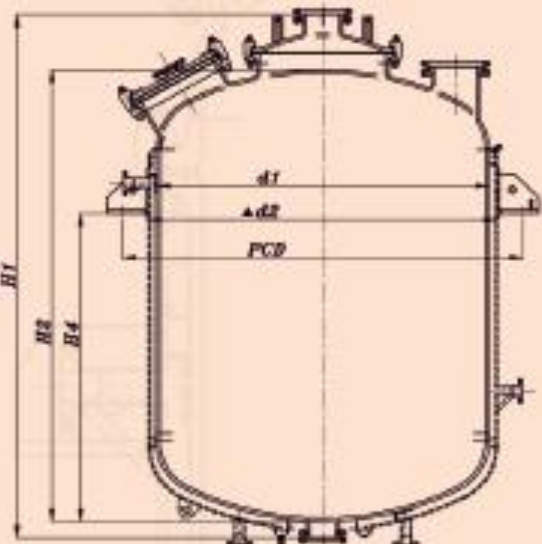
## Introduction

These equipment are generally AE/CE equipment without drive and agitator, manufactured from 63 to 1000 liters capacity as AE type and from 1600 to 16000 liters capacity as CE type.

# GEOMETRICAL DATA

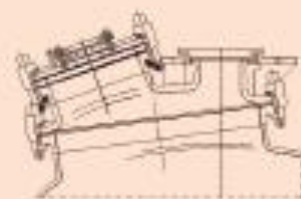


*Upto AB-1000L*

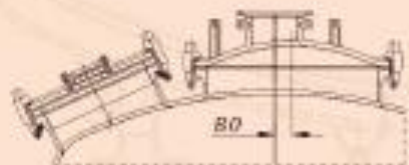


*From CE-1600L*

Capacity (L)	Main Dimensions								Total Volume (L)	Jacket Volume (L)	Heat Transfer Area (m <sup>2</sup> )	Total Weight (kg)	* Total Weight (kg)
	Inner dia (d1)	Inner dia (d2)	PCD	* PCD	H1	H2	H3	H4					
75	508	600	652	752	762	589	480	120	68	24	0.4	300	600
100	508	600	652	752	802	799	690	260	126	37	0.8	418	650
150	600	700	752	852	1081	898	698	330	206	58	1.2	529	780
250	700	800	852	952	1240	1042	880	400	323	78	1.4	663	960
430	1000	1100	1258	1358	1507	1380	1000	565	850	168	2.9	1138	1525
1000	1200	1300	1468	1568	1761	1545	1200	700	1480	205	4.6	1628	2045
1600	1400	1500	1668	1768	2021	1811	-	975	2050	268	6.5	2128	2575
2000	1400	1500	1668	1768	2231	1811	-	1175	2344	315	7.4	2288	2775
3000	1600	1700	1868	1968	2420	2060	-	1317	3382	418	9.4	3388	3950
4000	1800	1900	2114	2214	2720	2267	-	1522	3767	511	12.1	3968	4350
5000	2000	2100	2314	2414	2790	2343	-	1534	4131	568	13.8	4418	5200
6000	2000	2100	2314	2414	3070	2643	-	2034	4630	701	18.8	5078	5900
8000	2200	2300	2514	2614	3470	3060	-	1940	5696	768	18.8	6536	7435
10000	2400	2500	2708	2808	3650	3180	-	2664	6290	881	21.4	6450	8400
12000	2400	2500	2708	2808	4280	3780	-	2864	6424	1096	26.1	6830	10630
16000	2800	2900	3120	3220	4290	3780	-	2468	9067	1247	28.8	14020	16220

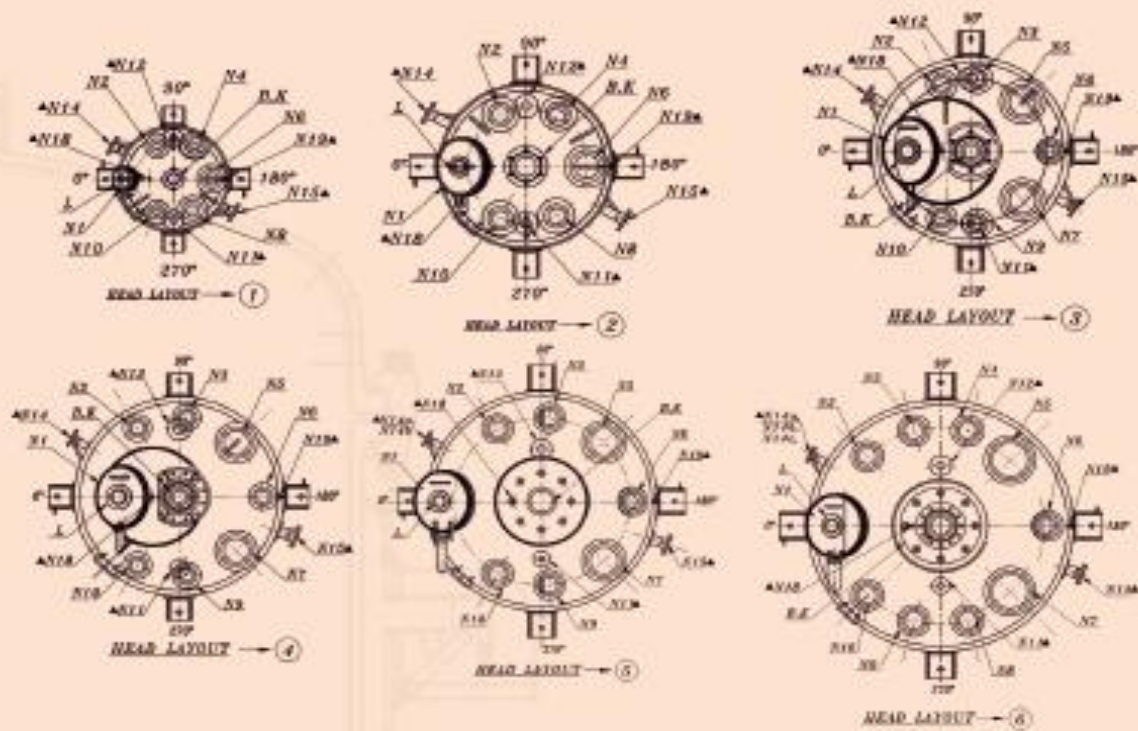


*Center opening for 1600 to 4000 Capacity*



*Center opening for 5000 & 6300 Capacity*

## NOZZLE ORIENTATION



Capacity (Litres)	Head Layout	Vessel & Cover Nozzles (Qty)																	Jacket Nozzles (Qty)						
		N1	L	B	K	N2	N3	N4	N5	N6	N7	N8	N9	N10	N11	N12	N14	N15	N16	N19					
50	1	100	40	85	60	40	-	80	-	80	-	50	-	40	40	40	40	40	12"	12"					
100	1	100	40	85	60	40	-	80	-	80	-	50	-	40	40	40	40	40	12"	12"					
150	1	100	40	85	60	50	-	80	-	80	-	60	-	50	40	40	40	40	12"	12"					
250	2	150	50	80	60	50	-	80	-	80	-	60	-	50	40	40	40	40	12"	12"					
500	2	250	100	125	100	100	-	100	-	100	-	100	-	100	50	50	50	50	12"	12"					
1000	2	350x450	100	125	100	100	-	200	100	200	-	100	100	50	50	50	50	50	12"	12"					
1000	3	350x450	100	150	100	-	100	-	200	100	200	-	100	-	50	50	50	50	12"	12"					
2000	3	350x450	100	150	100	-	100	-	200	100	200	-	100	-	50	50	50	50	12"	12"					
3000	4	350x450	100	150	100	100	100	-	200	100	200	-	100	100	50	50	50	50	12"	12"					
4000	4	500	100	150	100	200	150	-	100	100	100	-	150	200	50	80	50	80	12"	12"					
5000	4	500	100	200	150	200	150	-	100	100	100	-	100	200	80	80	50(2)	80	12"	12"					
6000	5	500	100	200	150	150	150	-	200	100	200	-	100	100	80	80	50(2)	80	12"	12"					
8000	6	500	100	200	150	150	150	300	100	300	100	100	100	80	80	50(2)	80	12"	12"						
16000	6	500	100	250	150	200	200	300	200	300	200	200	250	200	80	80	50(2)	80	12"	12"					
12500	6	500	100	250	150	200	200	300	200	300	200	200	250	200	80	80	50(2)	80	12"	12"					
16000	6	500	100	250	150	200	200	300	200	300	200	250	200	200	80	80	50(2)	80	12"	12"					

### NOTES:

1. All Dimensions are in 'mm', unless otherwise specified.
2. Without Prior notice, Specifications are subject to change for continual improvement.
3. Custom built capacities can also be manufactured on customer request.
4. ▲ - Indicates details for jacketed Equipment.



## 1. Codes & Standards

1	Design & Construction	ASME Sec. VIII, Division – I, Latest Edition.
2	Main Dimensions	DIN 28136
3	Flange Drilling	ANSI - B 16.5, #150

## 2. Design Data

Sl. No.	Description	Units	Vessel	Jacket
1	Pressure	Kg/cm <sup>2</sup> (g)	F.V. to 6	6
2	Temperature	°C	-28.8 to 200	-28.8 to 200
3	Corrosion Allowance (Base Metal)	mm	1.5	1.5
4	Weld Joint Efficiency	...	1.0	0.65
5	Glass Lining Thickness	mm	Min. 1.0, Max. 2.0	

## 3. Optional Features

1	Baffle-cum-thermowell with / without RTD sensor & Tantalum tip
2	Flush Bottom Valve with / without RTD sensor & Tantalum tip
3	PTFE Lined Dip Pipe
4	PTFE 'J' Pipe
5	PTFE spray ball assembly
6	Receivers can be manufactured with / without jacket as per customer Requirement